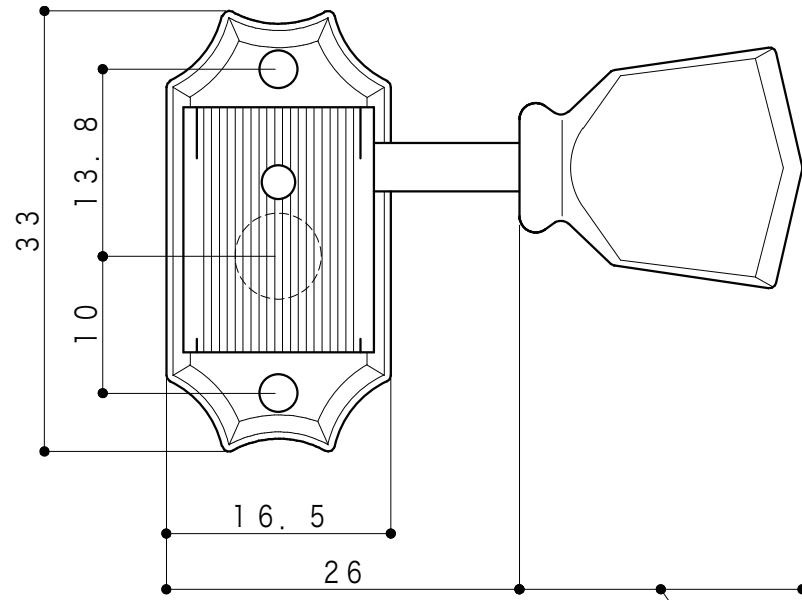
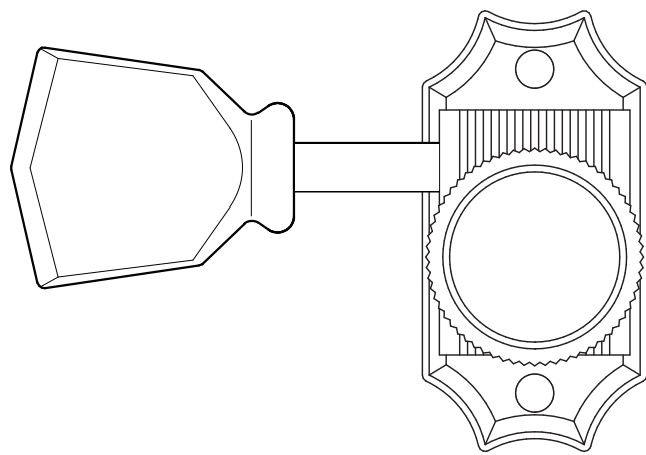
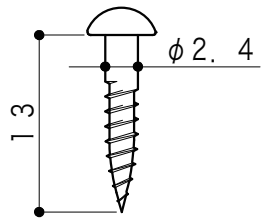
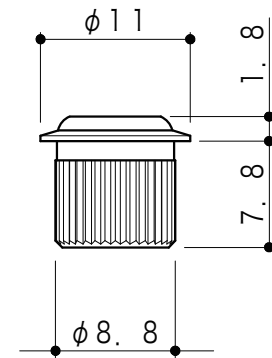
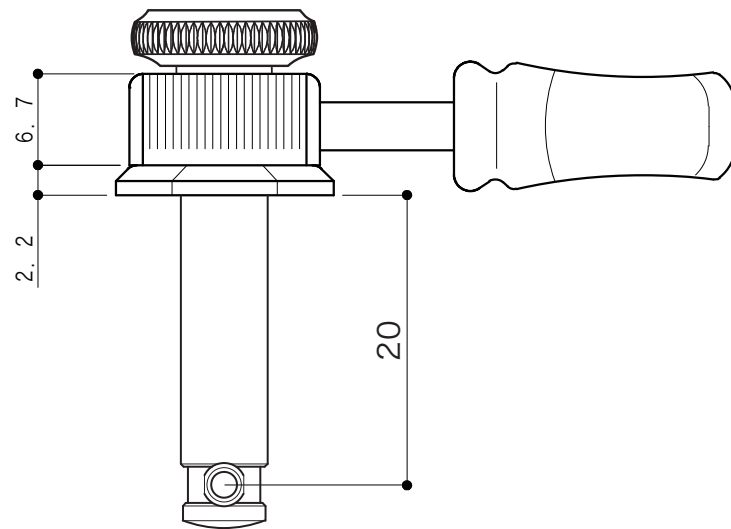
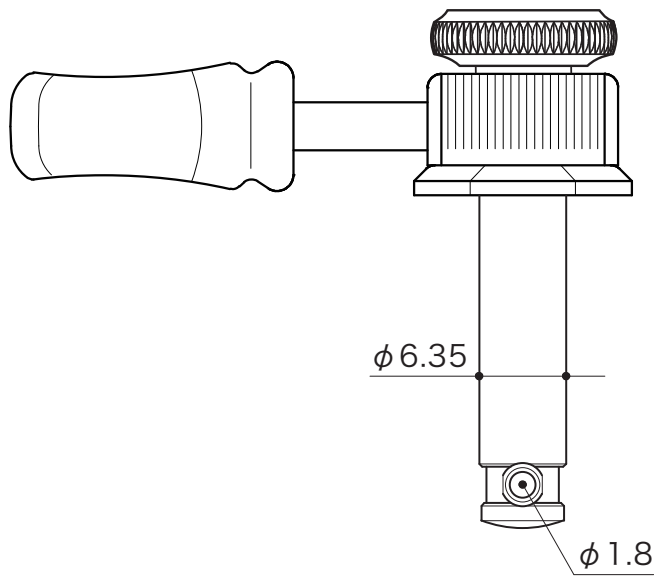


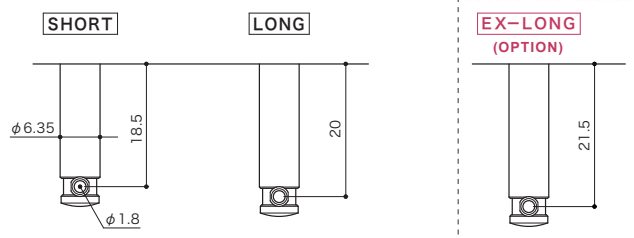
SD90 MG-T



Refer to a list

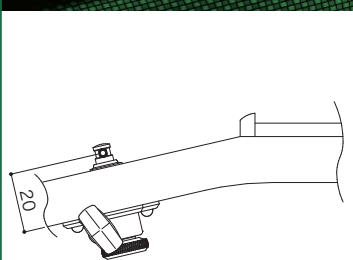


MG-T Post Dimensions

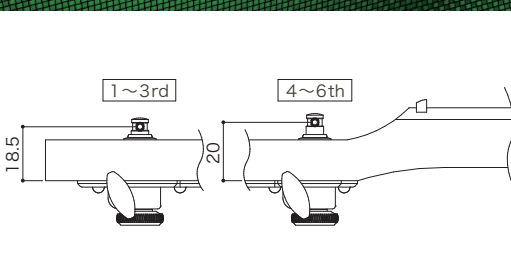


- * In case of SD90 (L3+R3), LONG×3, LONG×3 Fig1
- * In case of SD91 (L6 or R6), SHORT×3, LONG×3 Fig2
- * As the example of an option, SHORT×3, LONG×2, EX-LONG×1 Fig3

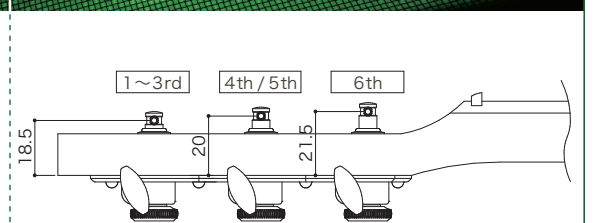
MG-T Standard set L3+R3 Fig1



MG-T Standard set 6-In-Line Fig2



Example of an option set 6-In-Line Fig3



Magnum Lock-Trad string posts are available in three lengths that can be purchased in any combination to create staggered posts. Please make your choice when ordering.