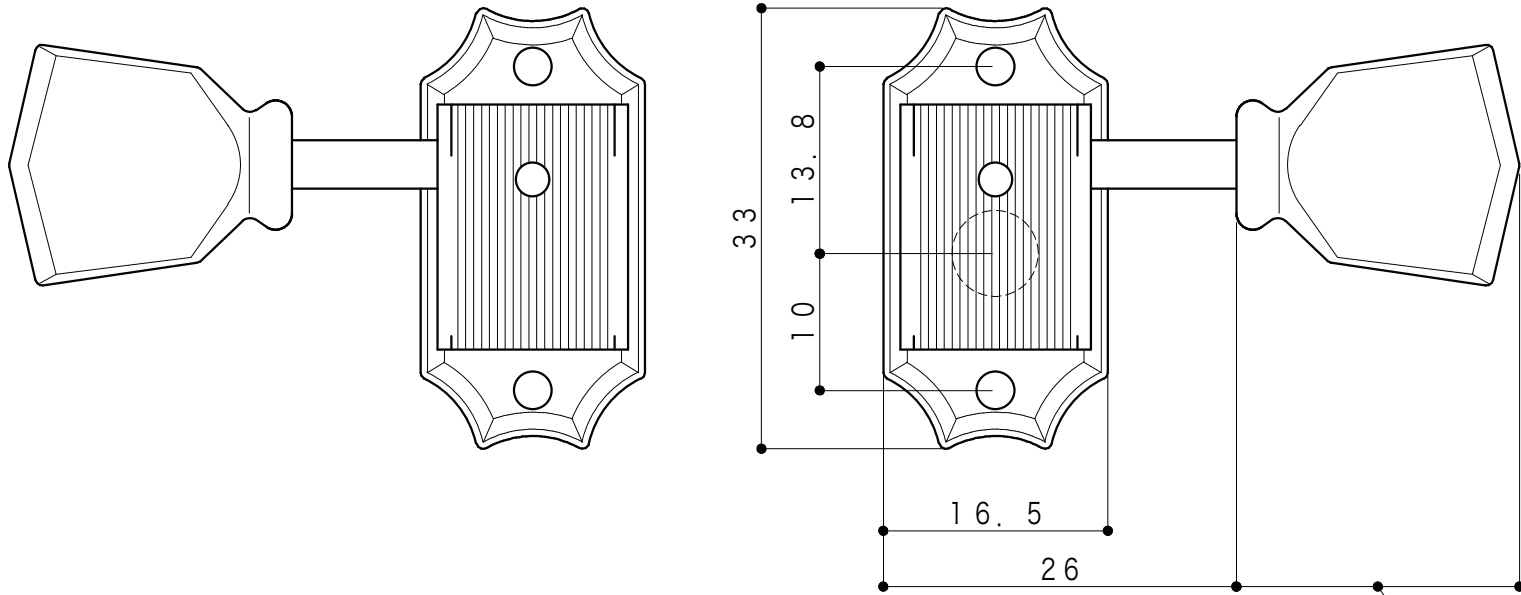
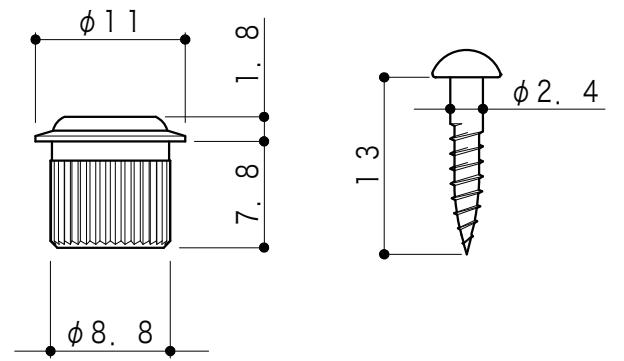
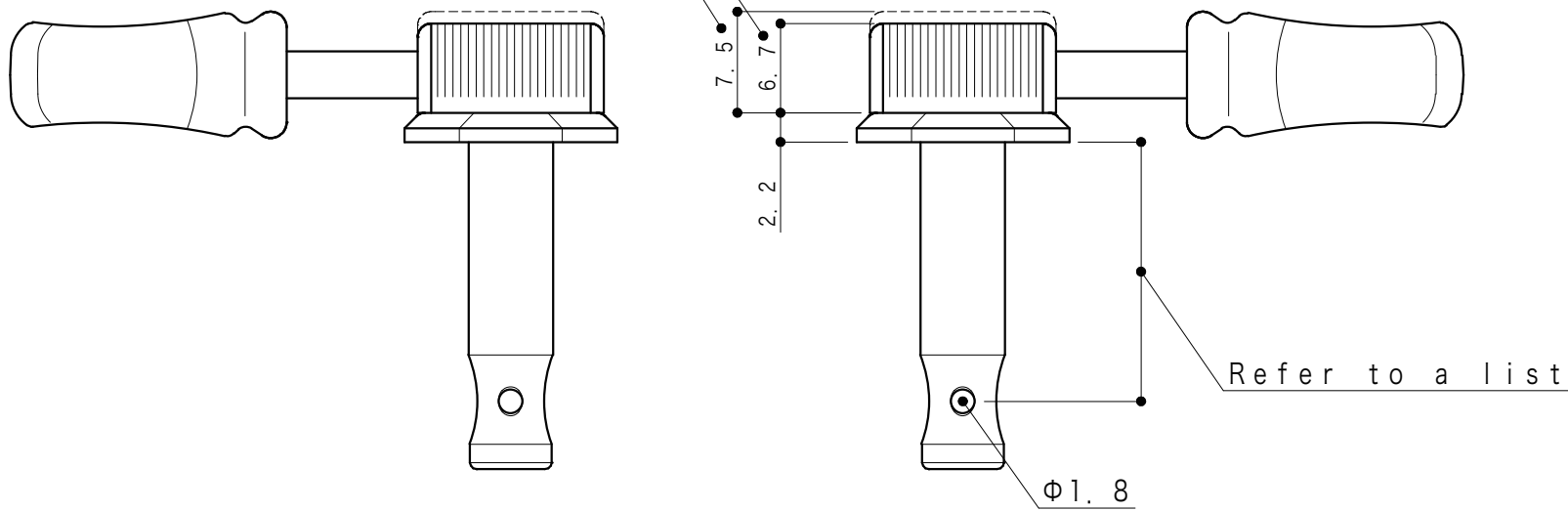


# SD90



HAP/HAPM  
STANDARD/MG  
Refer to a list



SD90 STANDARD	SD91 STANDARD	MG	SD90 HAP	SD91 HAP	SD90 HAPM	SD91 HAPM
				 1~3rd      4~6th		 1~3rd      4~6th